



OBR 140

SHEET METAL HOUSING / Forward Curved

Fan Components and Material Properties

Fan body is made of DKP sheet metal with electrostatic powder coating. The fans operate at high efficiency and low noise level. In centrifugal fans, higher air transfer is possible due to the fact that the motor is out of airflow. Uses asynchronous motor.

Fan Structure

Single suction, forward curved radial fan type. The fan wheel is made of high quality galvanized steel which is resistant to corrosion and is manufactured in aerodynamic structure to ensure regular flow. Thanks to its aerodynamic wing structure, it works quietly.

Benefits

It works with low noise levels and is designed to

be maintenance-free for long periods of time. Due to its frequent wing structure and efficient motor, it produces high flow rate and pressure compared to its dimensions. Provides advantages in areas where space is limited. Speed adjustable with speed control devices.

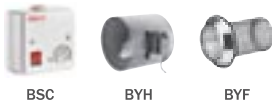
Speed Control

Optional control devices can be provided. 1~Phase products can be controlled with linear voltage regulator. (see BSC accessory)

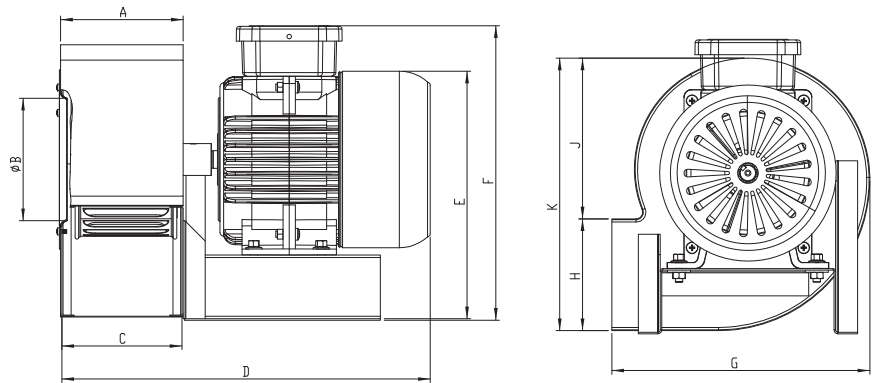
Usage Areas

Greenhouses, factories, warehouses, paint shops, shopping centers, factories, plastic and packaging machines etc. The machine is also used by machine manufacturers, except for the use of the space ventilation.

Accessories



Technical Drawing and Tables



TYPE	A	B	C	D	E	F	G	H	J	K
OBR 140M	103	106	102	294	200	240	204	91	125	216

Dimensions are in (mm)

TYPE	VOLTAGE	FREQUENCY	POWER	CURRENT	CAPACITOR	SPEED	AIR FLOW	SOUND PRESSURE	INSULATION CLASS	PROTECTION CLASS	WEIGHT
	V	Hz	W	(A)	(μ F)	r.p.m	m ³ /h	dB(A)	Ins.cl.	IP	kg
OBR 140M-2K	230	50/60	200/285	1,1/1,25	8	2930/3460	1100/1300	53	B	44	7,7
OBR 140M-4K	230	50/60	175	1,05/0,83	8	1480/1720	550/640	45	B	44	7,7

Sound Level Measured from 3m distance in room condition.

