



BDRAX

COOLING FANS

Fan Components and Material Properties

The case and propeller are made of electrostatic powder coated sheet metal and electrostatic powder coated from protective wire mesh strip steel. The motor and fan impeller are connected to the main body by steel carriers. It has an external rotor motor with closed structure.

Benefits

Thanks to their ideal wing angles, they achieve high air flow at minimum sound levels despite their small size. Easily mounted on windows and wall.

Speed Control

Optional control devices can be provided.

* Speed control can be done with linear voltage regulator. (see BSC accessory)

Usage Areas

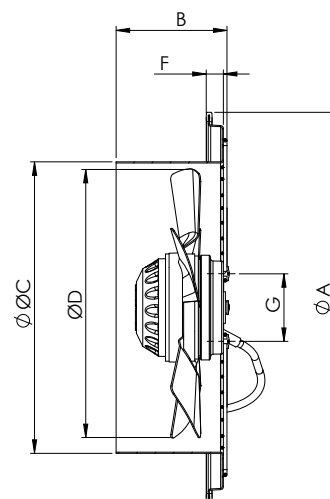
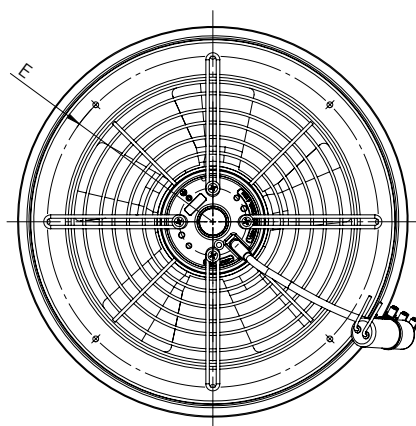
It is used for exhausting indoor air or for the need for fresh air. It is also used for air circulation by machine manufacturers.

Accessories



BSC

Technical Drawing and Tables

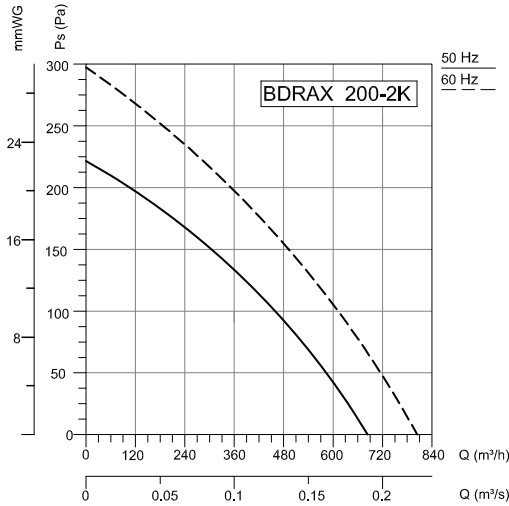


| TYPE | A | B | C | D | E | F | G |
|--------------|-----|-----|-----|-----|-----|----|----|
| BDRAX 200-2K | 284 | 95 | 200 | 189 | 229 | 14 | 58 |
| BDRAX 200-4K | 284 | 95 | 200 | 189 | 229 | 14 | 58 |
| BDRAX 250-2K | 335 | 95 | 250 | 238 | 284 | 14 | 58 |
| BDRAX 250-4K | 335 | 95 | 250 | 238 | 284 | 14 | 58 |
| BDRAX 300-2K | 390 | 95 | 300 | 288 | 332 | 14 | 58 |
| BDRAX 300-4K | 390 | 95 | 300 | 288 | 332 | 14 | 58 |
| BDRAX 350-2K | 427 | 100 | 350 | 338 | 398 | 2 | 58 |
| BDRAX 350-4K | 427 | 100 | 350 | 338 | 398 | 2 | 58 |

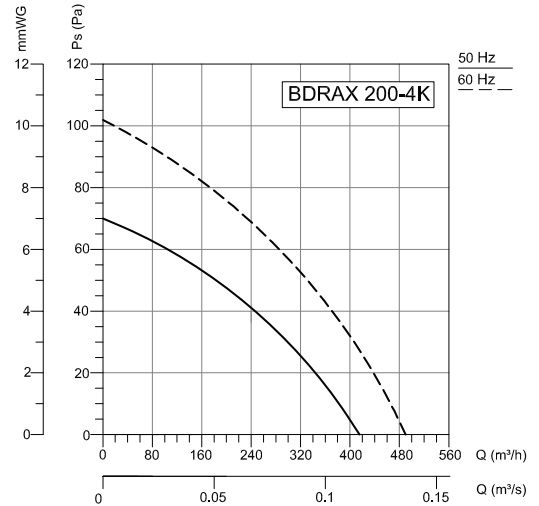
Dimensions are in (mm)

| TYPE | VOLTAGE | FREQUENCY | POWER | CURRENT | CAPACITOR | SPEED | AIR FLOW | SOUND PRESSURE | INSULATION CLASS | PROTECTION CLASS | WEIGHT |
|--------------|---------|-----------|---------|-----------|------------|-----------|-------------------|----------------|------------------|------------------|--------|
| | V | Hz | W | (A) | (μ F) | r.p.m | m ³ /h | dB(A) | Ins.cl. | IP | kg |
| BDRAX 200-2K | 230 | 50/60 | 63 | 0,28 | 2 | 2750/3200 | 680/790 | 50 | B | 44 | 2 |
| BDRAX 200-4K | 230 | 50/60 | 55 | 0,26 | 2 | 1450/1750 | 407/490 | 40 | B | 44 | 2,2 |
| BDRAX 250-2K | 230 | 50/60 | 100 | 0,5 | 4 | 2700/3100 | 1500/1700 | 55 | B | 44 | 2,7 |
| BDRAX 250-4K | 230 | 50/60 | 55 | 0,28 | 1,5 | 1400/1680 | 760/910 | 41 | B | 44 | 2,7 |
| BDRAX 300-2K | 230 | 50/60 | 140/190 | 0,6/0,85 | 5 | 2600/2800 | 2020/2175 | 57 | B | 44 | 3,5 |
| BDRAX 300-4K | 230 | 50/60 | 65 | 0,29 | 2 | 1360/1550 | 1410/1600 | 47 | B | 44 | 3,5 |
| BDRAX 350-2K | 230 | 50/60 | 200 | 0,9 | 5 | 2050 | 3110 | 62 | B | 44 | 4,6 |
| BDRAX 350-4K | 230 | 50/60 | 75/100 | 0,32/0,45 | 3 | 1330/1500 | 2340/2640 | 52 | B | 44 | 4,6 |

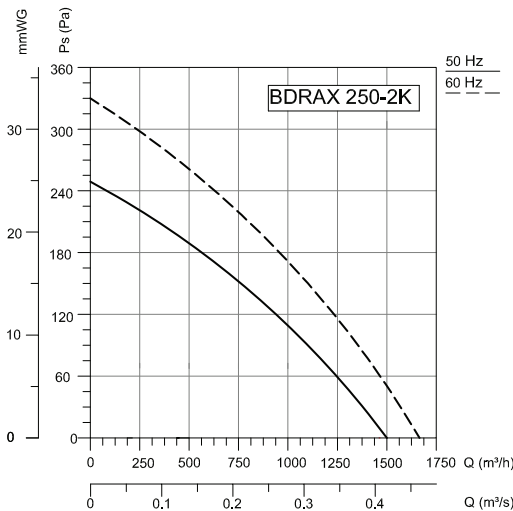
The sound level is measured at a distance of 3 m in open field condition.



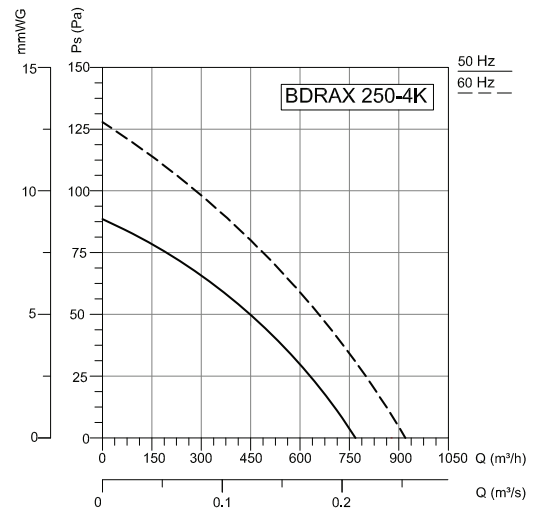
| Frequency | Tot8 | 63 | 125 | 250 | 500 | 1000 | 2000 | 4000 | 8000 Hz |
|-------------|-----------|----|-----|-----|-----|------|------|------|----------|
| SURROUNDING | 71 | 38 | 43 | 64 | 64 | 65 | 64 | 58 | 50 dB(A) |



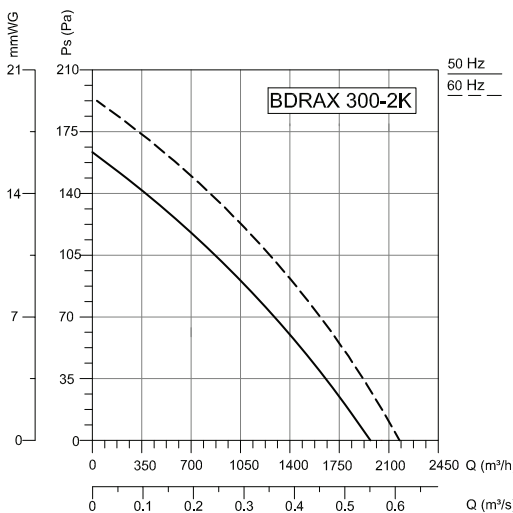
| Frequency | Tot8 | 63 | 125 | 250 | 500 | 1000 | 2000 | 4000 | 8000 Hz |
|-----------------------------|-----------|----|-----|-----|-----|------|------|------|----------|
| L _{WA} Surrounding | 61 | 27 | 32 | 54 | 54 | 55 | 54 | 48 | 39 dB(A) |



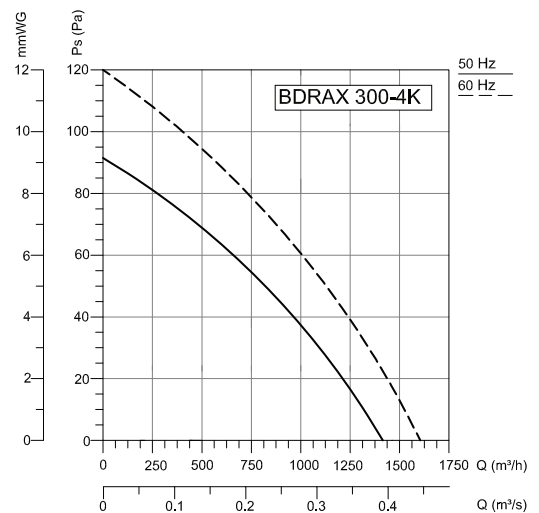
| Frequency | Tot8 | 63 | 125 | 250 | 500 | 1000 | 2000 | 4000 | 8000 Hz |
|-----------------------------|-----------|----|-----|-----|-----|------|------|------|----------|
| L _{WA} Surrounding | 76 | 44 | 51 | 66 | 66 | 70 | 71 | 67 | 62 dB(A) |



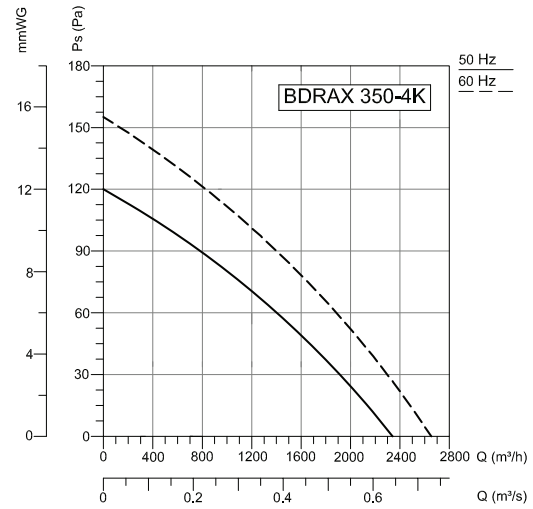
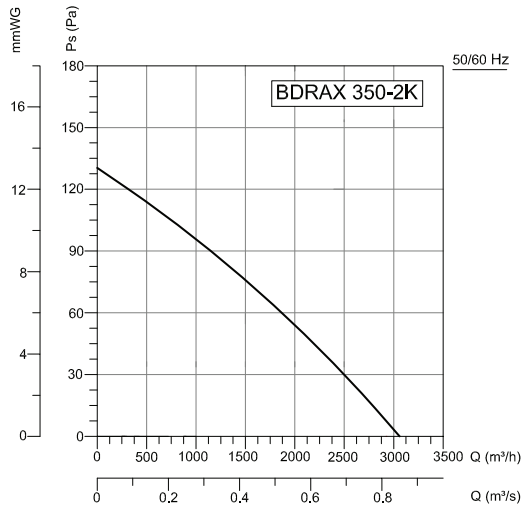
| Frequency | Tot8 | 63 | 125 | 250 | 500 | 1000 | 2000 | 4000 | 8000 Hz |
|-----------------------------|-----------|----|-----|-----|-----|------|------|------|----------|
| L _{WA} Surrounding | 62 | 30 | 37 | 52 | 51 | 56 | 57 | 53 | 48 dB(A) |



| Frequency | Tot8 | 63 | 125 | 250 | 500 | 1000 | 2000 | 4000 | 8000 Hz |
|-----------------------------|-----------|----|-----|-----|-----|------|------|------|----------|
| L _{WA} Surrounding | 78 | 46 | 53 | 68 | 68 | 72 | 73 | 69 | 64 dB(A) |



| Frequency | Tot8 | 63 | 125 | 250 | 500 | 1000 | 2000 | 4000 | 8000 Hz |
|-----------------------------|-----------|----|-----|-----|-----|------|------|------|----------|
| L _{WA} Surrounding | 68 | 39 | 51 | 54 | 63 | 63 | 63 | 58 | 48 dB(A) |



| | | | | | | | | | | | |
|-----------------------------|----|----|----|----|----|----|-----|----|-----|-------|----|
| 1250458 Hz | Fr | eq | un | cy | y | To | coo | yo | too | 8000 | 63 |
| L _{WA} Surrounding | 8n | 48 | 64 | 68 | 74 | 80 | 78 | 73 | 60 | dB(A) | |

| | | | | | | | | | | | |
|-----------------------------|----|----|----|----|----|----|-----|----|-----|-------|----|
| 1250458 Hz | Fr | eq | un | cy | y | To | coo | yo | too | 8000 | 63 |
| L _{WA} Surrounding | 7n | 38 | 54 | 58 | 64 | 70 | 68 | 63 | 50 | dB(A) | |

